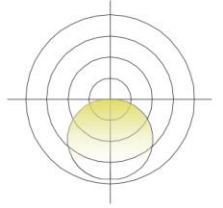


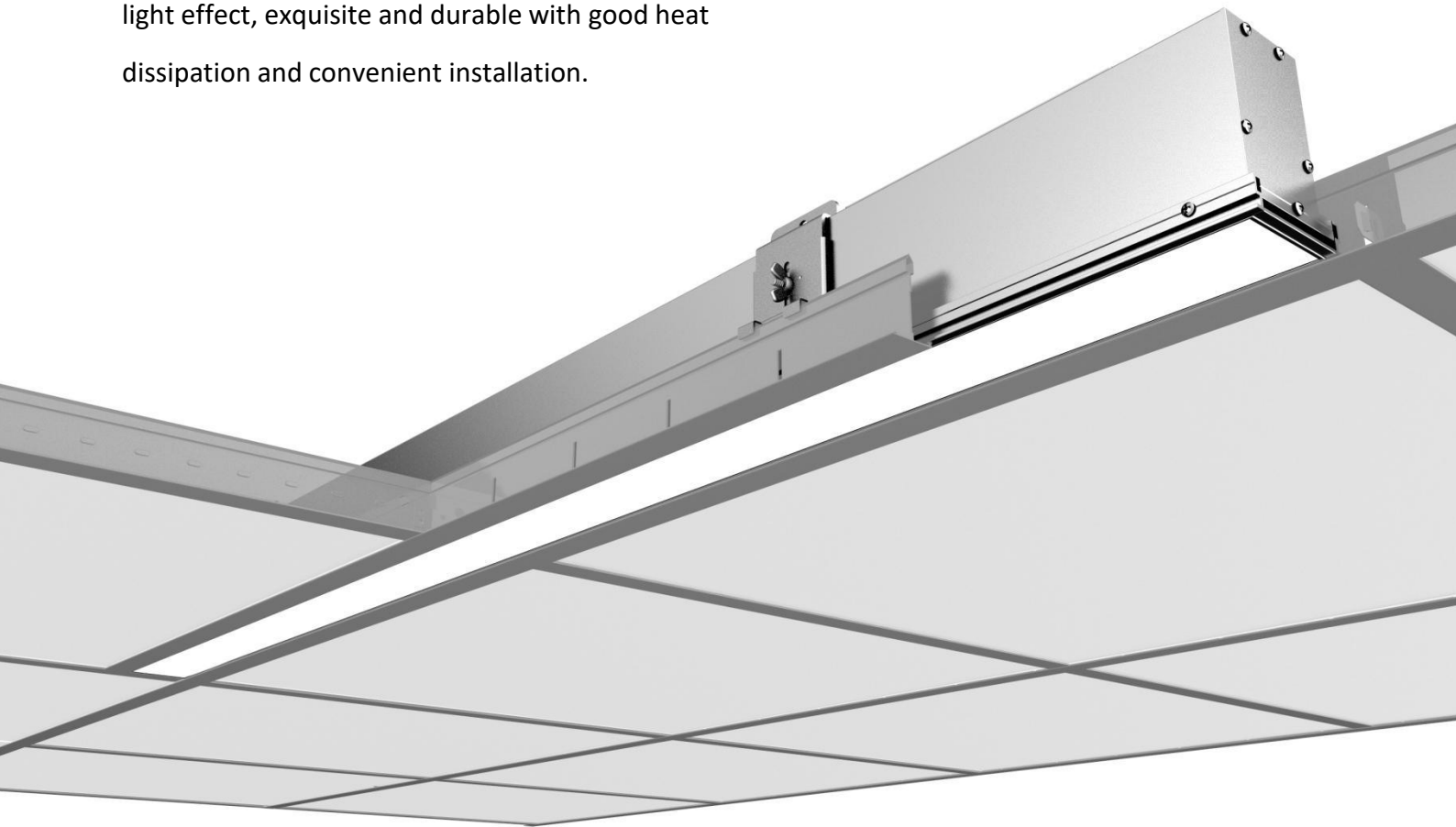
# T-LINE 2"



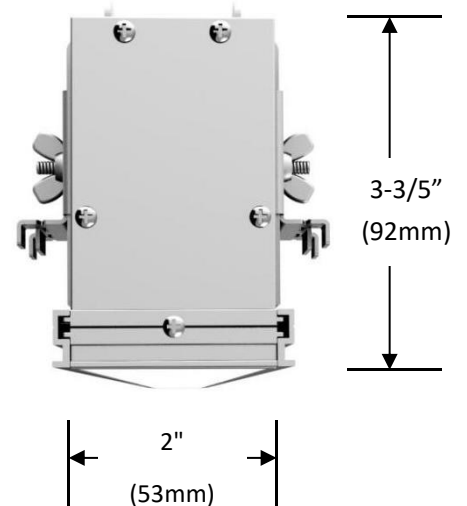
# LR5392FD



LR5392FD is a linear lamp product specially developed by colors for T-bar ceiling system. It adopts modern design style, simple and fashionable, safe and reliable with good light effect, exquisite and durable with good heat dissipation and convenient installation.



- Osram LED, LM80 certified light source, life >50000H;
- Built in Flicker-free dimming power supply, get UL and class P certification;
- The whole lamp has passed UL certification;
- High performance, light efficiency up to 105 LM / W;
- Patented installation solution, suitable for various specifications of T - bar ceiling system



### Optical & electronic data:

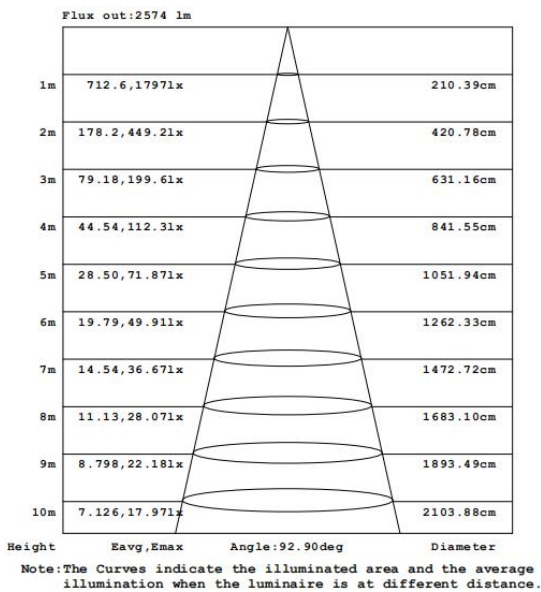
| Model                              | Size        | CCT   | Flux (lm) | CRI | Beam angle | Input voltage | Dimming | PF   | Power (w) | Efficiency (lm/w) |
|------------------------------------|-------------|-------|-----------|-----|------------|---------------|---------|------|-----------|-------------------|
| TL-LR5392FDFWS1200-T40XX8B-DC      | 4' (1219mm) | 3000K | 3990lm    | >80 | 100°       | 100~277VAC    | 0~10V   | >0.9 | 40W       | 100               |
|                                    |             | 3500K | 3990lm    |     |            |               |         |      |           | 100               |
|                                    |             | 4000K | 4200lm    |     |            |               |         |      |           | 105               |
| TL-LR5392FDFWS1200-T40XX9B-DC      | 4' (1219mm) | 3000K | 3610lm    | >90 | 100°       | 100~277VAC    | 0~10V   | >0.9 | 40W       | 90                |
|                                    |             | 3500K | 3610lm    |     |            |               |         |      |           | 90                |
|                                    |             | 4000K | 3800lm    |     |            |               |         |      |           | 95                |
| TL-LR5392FDFWS1200 (A) -T40XX8B-DC | 4' (1219mm) | 3000K | 3990lm    | >80 | 100°       | 100~277VAC    | 0~10V   | >0.9 | 40W       | 100               |
|                                    |             | 3500K | 3990lm    |     |            |               |         |      |           | 100               |
|                                    |             | 4000K | 4200lm    |     |            |               |         |      |           | 105               |
| TL-LR5392FDFWS1200 (A) -T40XX9B-DC | 4' (1219mm) | 3000K | 3610lm    | >90 | 100°       | 100~277VAC    | 0~10V   | >0.9 | 40W       | 90                |
|                                    |             | 3500K | 3610lm    |     |            |               |         |      |           | 90                |
|                                    |             | 4000K | 3800lm    |     |            |               |         |      |           | 95                |

**Remark:**

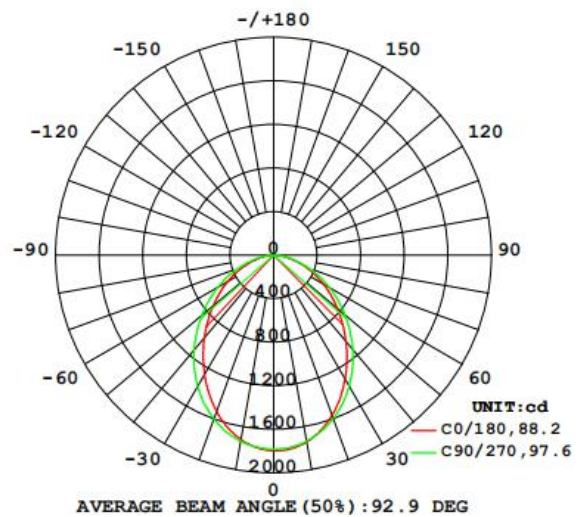
- 1、 the output data is based on the testing result of 4'(1219mm) luminaires ;
- 2、 the tolerance of output data can be vary up to 10%;
- 3、 the output data is typical value;

◆luminaire with diffuser ( TL-LR5392FD )

AAI Figure

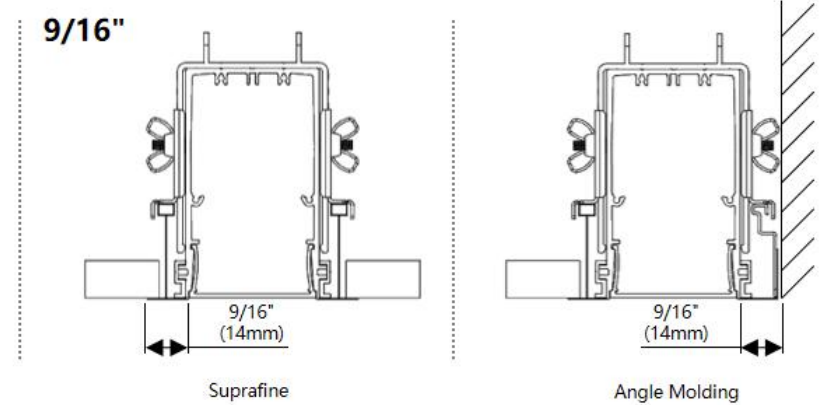
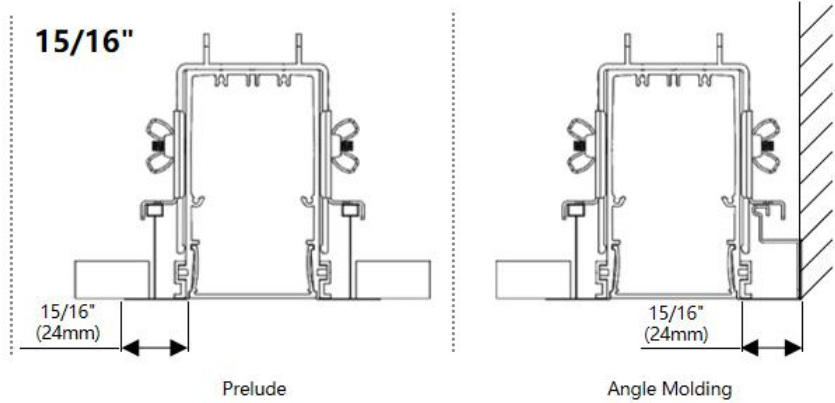
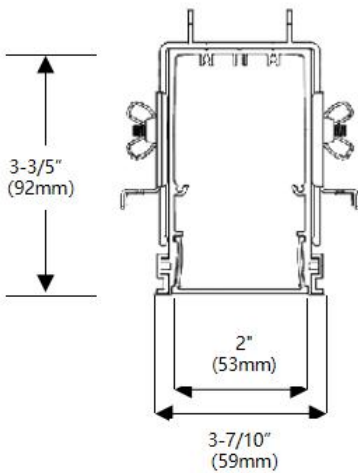


Luminous intensity distribution diagram

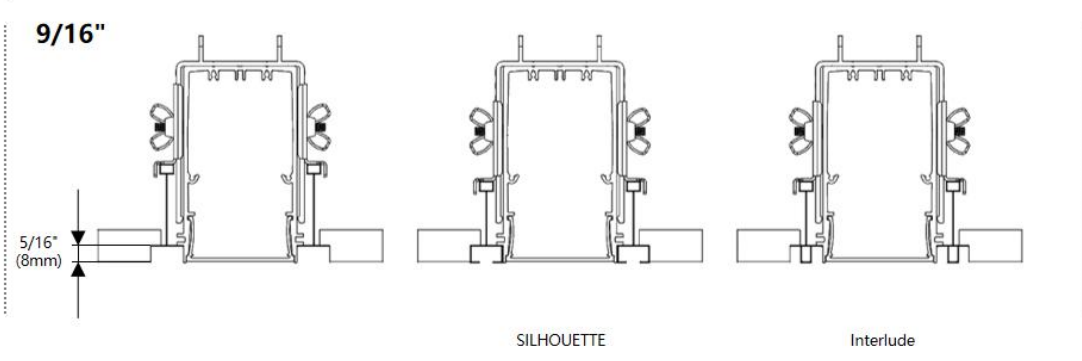
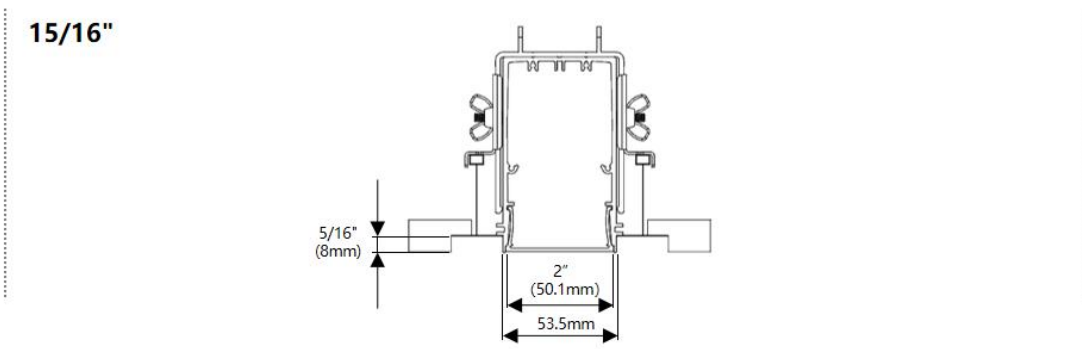
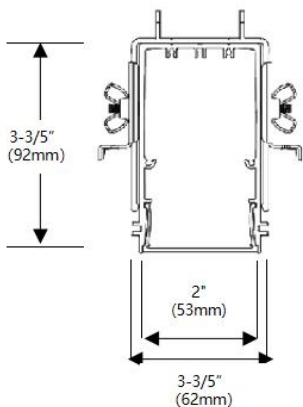


**Installation example and size:**

**TL-LR5392FD  
(With Hems)**



**TL-LR5392FD(A)  
(Remove Hems)**



## Packing:

### ◆ The whole package

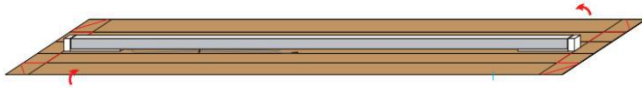
1. Tightly wrap and fix the magnetic endcaps and profiles with winding film (in order to prevent the plastic endcaps move and damaged by extrusion of profile), then put PE tube on the product.



2. The back of the product is placed on a 15 mm thick EPE FOAM, and with 22 mm thick EPE FOAMs at both ends, then stick EPE FOAM on the side, bundled with wrapping film;



3. Put the back of the product facing down on the W9K paper envelope with 3 mm thickness, and fold the paper envelope to wrap the product.



4. After the product is wrapped, the edge is sealed with adhesive paper and the product information labels are affixed.



5. Put the white boxes packed with products in bundles according to the standard quantity and requirement. Add K = K paper sheath at both ends, then bundle them with wrapping film at both ends.



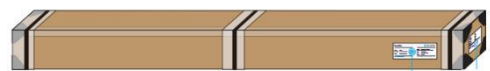
6. Pack the bundled products on K = K cardboard after indentation cutting.



7. Sealing box with plastic corner guard, wrapping with film, then wrapping with packaging tape.




8. Labeling (COLORS Label, Quantity, Net Weight, Gross Weight Labels, Box Seal)



| Model                                 | Type       | Demension<br>(individual package) | Pcs<br>/bundle | NW<br>(Kg) | GW<br>(Kg) | Demension<br>(whole package) | CBM<br>(m <sup>3</sup> ) |
|---------------------------------------|------------|-----------------------------------|----------------|------------|------------|------------------------------|--------------------------|
| TL-LR5392FDFWS1200-T40<br>NWXB-DC     | Individual | 1265*106*124mm                    | 4              | 14.4       | 17.4       | 1285*247*272                 | 0.087                    |
| TL-LR5392FDFWS1200 (A)<br>-T40NWXB-DC | Packing    | 1265*106*124mm                    | 4              | 14         | 17         | 1285*247*272                 | 0.087                    |

### ◆ Description about label information

|  |  |   |                               |
|--|--|---|-------------------------------|
| <b>TL-LR5392BD</b>                                       |  |  |                               |
| <b>Luminous flux:</b> 2700LM                             |  | <b>Type:</b> Luminaire  | TL-LR5392BDFWS1200-T40NW8B-DC |
| <b>Power(Typ):</b> 40W                                   |  | <b>Part NO:</b>   | YO19020147                    |
| <b>CCT:</b> 4000K  |  | <b>SO:</b>  | ZWL170510-0380                |
| <b>CRI:</b> >80  |  | <b>NO:</b>  | White                         |
| <b>Input voltage:</b> 100-277VAC                         |  | <b>Color:</b>   | >0.9                          |
| <b>Frequency:</b> 50/60Hz                                |  | <b>Power factor:</b>  | Blind Louver                  |
|  |  | <b>Cover type:</b>  | 1265x106x124mm                |
|  |  | <b>Size:</b>  | 20200415                      |
|  |  | <b>Date:</b>  |                               |
| <a href="http://www.colorsled.com">www.colorsled.com</a> |  |   |                               |



**Ordering code:**

| Category  | Installation | Section Size | Diffuser Shape | Diffuser Nature | Carrier Style | Profile Color | End Cap Style    | Length | edition     | -Light Source Type      | Type Power of Luminaire | CCT   | CRI     | Power Type | Package            | Label Type |
|-----------|--------------|--------------|----------------|-----------------|---------------|---------------|------------------|--------|-------------|-------------------------|-------------------------|-------|---------|------------|--------------------|------------|
| T-LINE 2" | Recessed     | 5392 series  | Flat           | Diffuser        | Flat          | White         | Standard End Cap | 1219m  | With Hems   | -Constant Current Rigid | 40W                     | 3000K | CRI>80  | 0-10V      | Individual Packing | COLORS     |
| TL        | -LR          | 5392         | F              | D               | F             | W             | S                | 1200   | /           | -T                      | 40                      | WW    | 80      | B          | -D                 | C          |
|           |              |              |                |                 |               |               |                  |        | Remove Hems |                         |                         | 3500K | CRI >90 |            |                    | Customized |
|           |              |              |                |                 |               |               |                  |        | (A)         |                         |                         | PW    | 90      |            |                    | S          |
|           |              |              |                |                 |               |               |                  |        |             |                         |                         | NW    |         |            |                    |            |
| TL        | -LR          | 5392         | F              | D               | F             | W             | S                | 1200   |             | -T                      | 40                      | NW    | 8       | B          | -D                 | C          |

**Attentions:**

- ◆ Please install the product in the right environment as much as possible;
- ◆ Please be careful during operation. Do not touch the AC power supply in case of electric shock;
- ◆ Check the current through the circuit, such as the surge occurs when press the switch does not exceed the maximum rated current, please insert the appropriate protection circuit;
- ◆ This product is sensitive to static electricity, and please special attention. In particular, it will damage the product when the static electricity is more than absolute maximum rated current and voltage, please make a countermeasures to avoid the damage of the static electricity and surge when using the product.

